

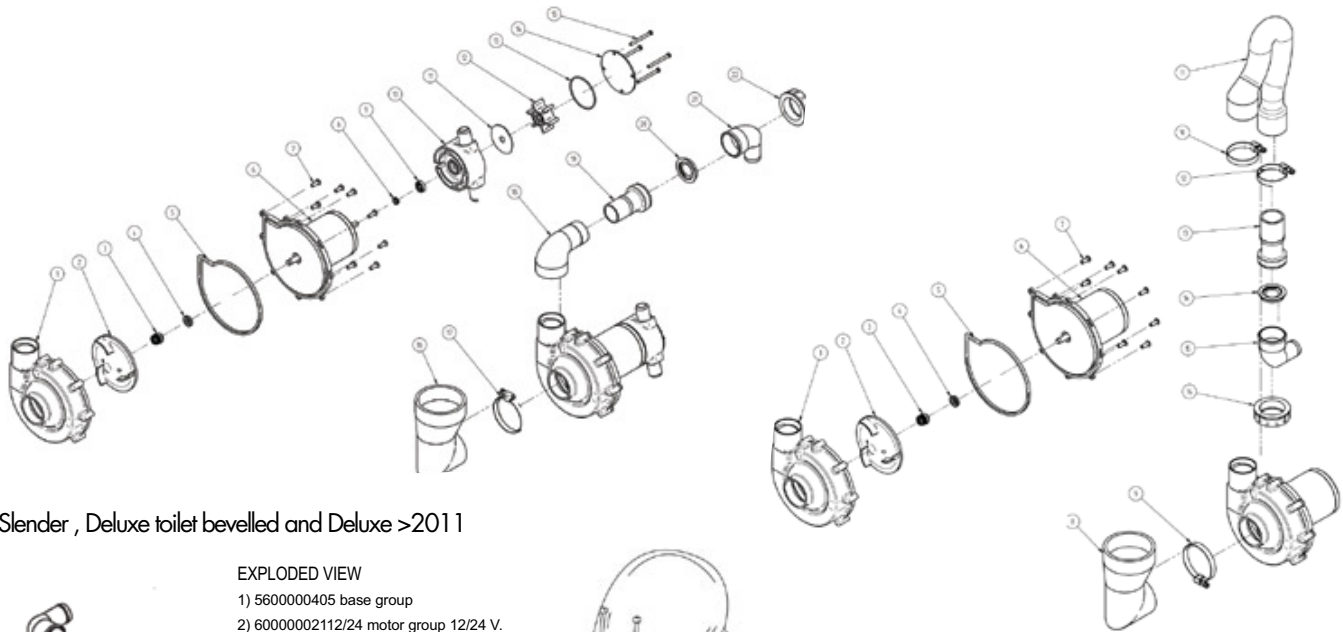
Service parts/drawings

Laguna and Deluxe electric toilets new 2012

ITEM	DESCRIPTION	PART NUMBER	ITEM	DESCRIPTION	PART NUMBER	ITEM	DESCRIPTION	PART NUMBER	PART NUMBER	
1	PUMP BODY	5500019008	8	SEAL	CD.5500019010	16-17-18	HOSES/CLAMPS	CD.5500019005	Laguna version	
2	IMPELLER		9	LIPSEAL		19	CONNECTION			
3	MECHANICAL SEAL		10	PUMP BODY		20	CHECK VALVE			
4	MECHANICAL SEAL		11	WEAR PLATE		CD.550003805	21			ELBOW
5	PACKING		12	RUBBER IMPELLER			Deluxe version			22
7	SCREW		13	O-RING						
6	MOTOR		60000019112-24	14		COVER PLATE				
			15	SCREWS						

Laguna and Deluxe electric silent toilets new 2012

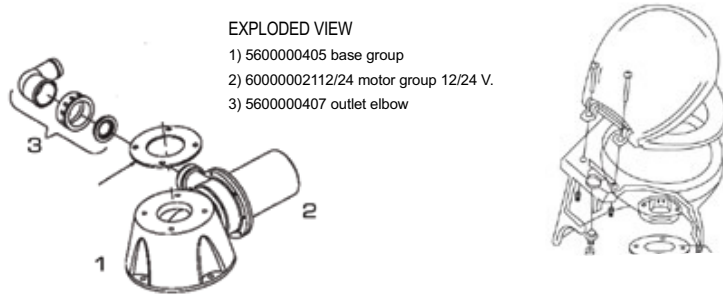
ITEM	DESCRIPTION	PART NUMBER	ITEM	DESCRIPTION	PART NUMBER	PART NUMBER
1	PUMP BODY	CD. 5500019008	8-11	HOSES	CD.5500019705	PICTURE B PG 2
2	IMPELLER		9-10-12	CLAMP		
3-4-5	GASKETS/SEALS		13	CONNECTION		
7	SCREW		14	CHECK VALVE		
6	MOTOR	CD. 60000019012-24	15	ELBOW	CD.5500019706	CD.6500019805
			16	NUT		
						PICTURE A PG 2



Slender , Deluxe toilet bevelled and Deluxe >2011

EXPLODED VIEW

- 1) 5600000405 base group
- 2) 60000002112/24 motor group 12/24 V.
- 3) 5600000407 outlet elbow

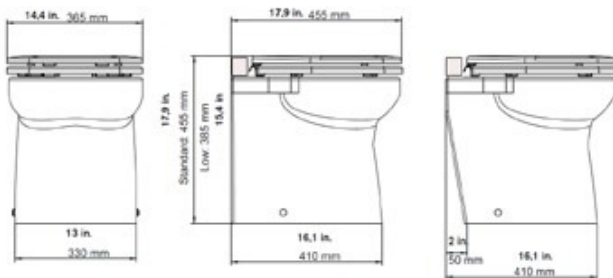


- CD: 6500000006 seat for deluxe
- CD:65000000003/(7) seat for luxury/ soft close version
- CD: 6500000530 LUXURY LOW >2012.
- CD:65000000531 DELUXE LOW BEV:
- CD: 6500000542 DELUXE STD NEW
- CD:65000000533 DELUXE STD BEV
- CD: 6500000545 LUXURY LOW NEW
- CD:65000000547 LUXURY STD NEW
- CD: 6500000550 INTAKE ELBOW COMPACT/COMFORT BOWL
- CD: 6500000552 INTKE ELBOW LAGUNA; DELUXE,LUXURY

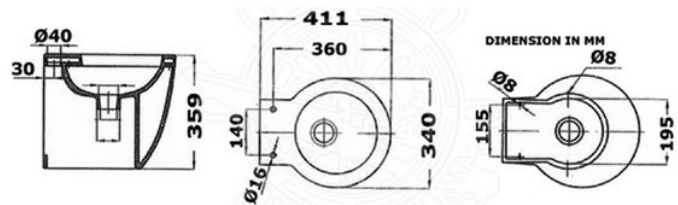
PART. N.	BOWL SIZE	BOWL TYPE	WEIGHT	SYSTEM TYPE
6500003012-24/6500003612-24	LOW	DELUXE	20KG	NEW 2012
6500003112-24/6500003712-24	LOW BEVELLED	DELUXE	21 KG	OLD>2011
6500003212-24/6500003812-24	STD	DELUXE	20KG	NEW 2012
6500003312-24/6500003912-24	STD BEVELLED	DELUXE	21 KG	OLD>2011
6500002042-24/6500002412-24	LOW	LUXURY	20KG	NEW 2012
6500002112-24/6500002512-24	LOW BEVELLED	LUXURY	21 KG	OLD>2011
6500002242-44/6500002612-24	STD	LUXURY	20KG	NEW 2012
6500002312-24/6500002712-24	STD BEVELLED	LUXURY	21 KG	OLD>2011

PART. N.	BOWL TYPE	WEIGHT	SYSTEM TYPE
6500000912 / 24	LAGUNA	20KG	ELECTRIC STD
6600000912 / 24	LAGUNA	21 KG	ELECTRIC SILENT

Luxury and Deluxe models

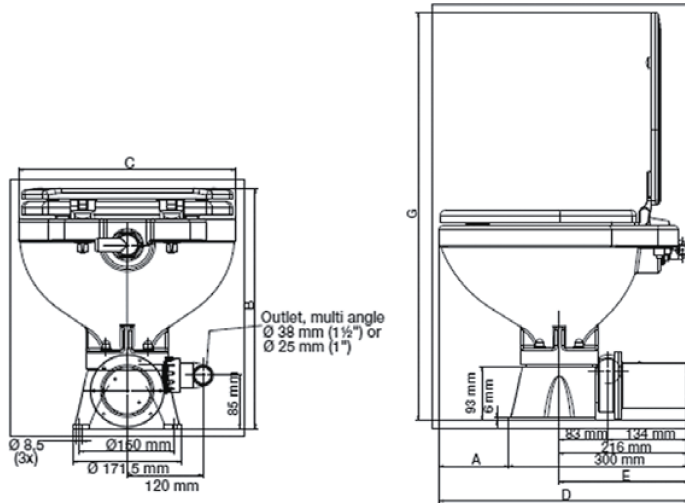


Laguna model.



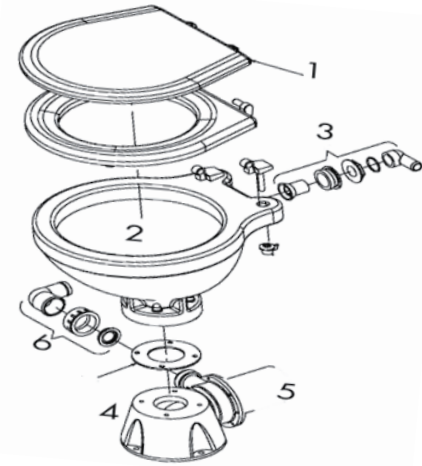
Electric silent toilet:

PART. N.	DESCRIPTION	WEIGHT	A	B	C	D	E	G
6600000712-24 6600000812-24	COMPACT COMFORT	10KG 11 KG	120 190	390 385	335 365	420 490	215 470	700 755



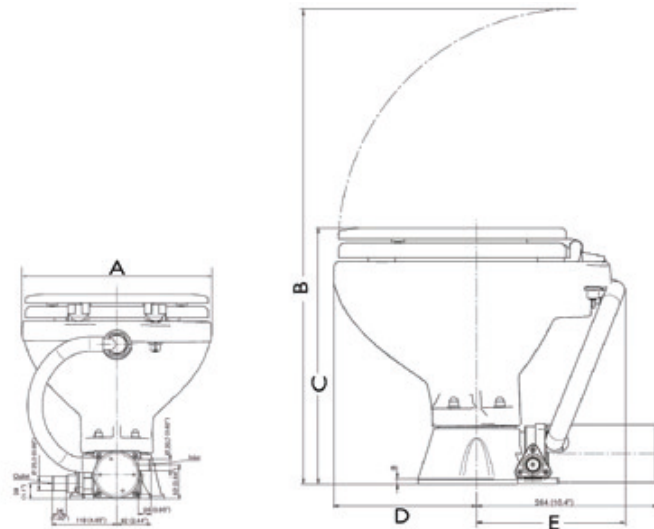
EXPLODED VIEW

- 1) 6500000001 wooden seat
- 2) 6500000505 porcelain compact bowl
- 3) 6500000550 intake elbow
- 5) 6000002112/24 motor group 12/24 V.
- 6500000003 wooden seat large size
- 6500000515 porcelain comfort bowl
- 4) 5600000405 base group
- 6) 5600000407 outlet elbow



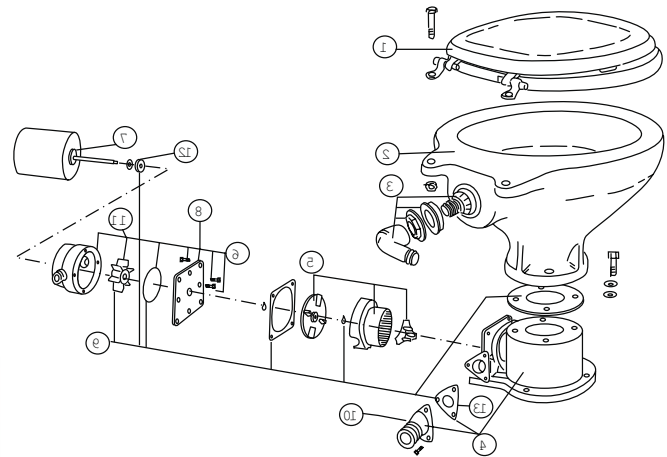
Electric standard toilet:

PART. N.	DESCRIPTION	WEIGHT	A	B	C	D	E
6500000712-24 6500000812-24	COMPACT COMFORT	10KG 11 KG	345 366	692 747	373 380	209 220	216 275



EXPLODED VIEW

- 1) 6500000001 wooden seat
- 2) 6500000505 compact bowl
- 3) 6500000550 intake elbow
- 5) 6000007121 macerator group
- 6) 6000007112 pump group brass
- 7) 6000000712/24 motor 12/24 v.
- 11) GM000PK001 pump impeller
- 6500000002 plastic seat
- 6500000515 comfort bowl
- 4) 6000007100 base
- 5500019010 pump group plastic.
- 10) pl000we004 discharge port
- 13) 6000007007 discharge valve

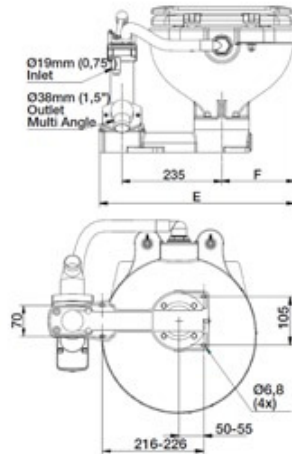
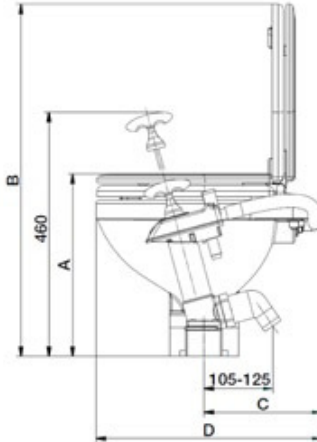


CD: 6000007105 discharge valve connection 90° (optional) for deluxe bowls equipped with standard conversion kit



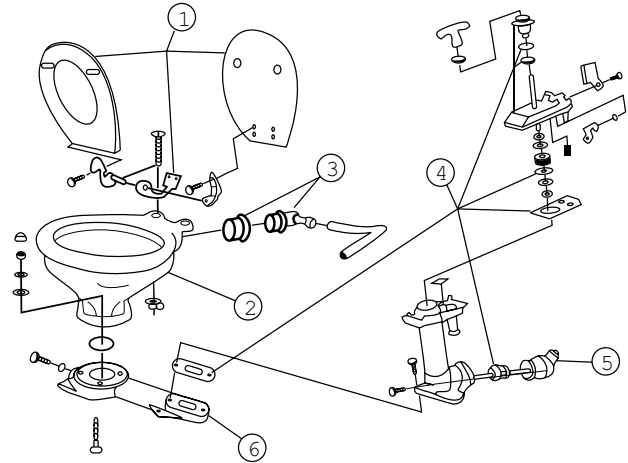
Manual toilet:

PART. N.	DESCRIPTION	WEIGHT	A	B	C	D	E	F
6600000700	COMPACT	9 KG	345	650	215	425	450	170
6600000800	COMFORT	10 KG	340	705	275	490	470	185



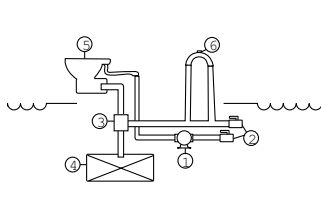
EXPLODED VIEW:

- Art. 6500000001 white wooden seat (1)
- Art. 6500000505 compact bowl (2)
- Art. 6100000777 toilet base (6)
- Art. 6500011000 gasket kit (4)
- Art. 6100000700 conversion kit
- Art.PL000W900(8)/9 outlet elbow /flange elbow
- Art. 6500000003 comfort wooden seat (3)
- Art. 6500000515 comfort bowl (2)
- Art. 6500000550 intake elbow (3)
- Art. 6100000770 complete pump
- Art. 6000007011 bowl gasket/screws
- Art. GM000WM002 check valve

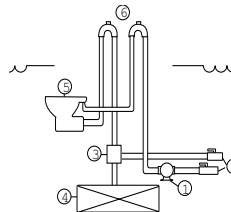


TOILET SINGLE SYSTEM

ABOVE THE WATERLINE



BELOW THE WATERLINE

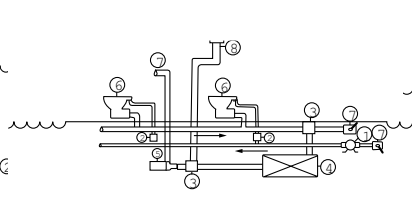


- Toilet single system
- Above the waterline
- Below the waterline
- 1 automatic pressure system or deck pumps
- 2 seacock

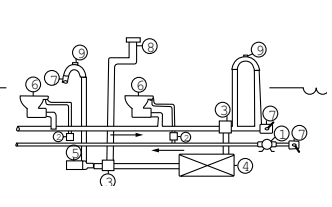
- 3 y-valve
- 4 holding tank
- 5 toilets
- 6 vented loop 3/4 (19 mm.)
- water inlet 1" 1/2 (38 mm.) discharge

TOILET CENTRALIZED SYSTEM

ABOVE THE WATERLINE



BELOW THE WATERLINE

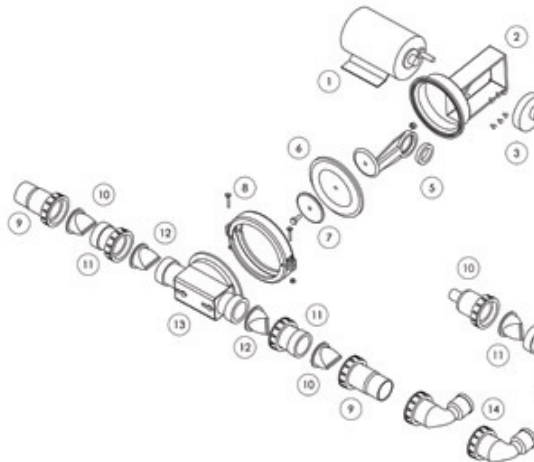


- 1 automatic pressure system or deck pumps
- 2 inlet electro valve
- 3 y-valve
- 4 holding tank
- 5 macerator pump
- 6 toilets
- 7 seacock
- 8 discharge to approved disposal station

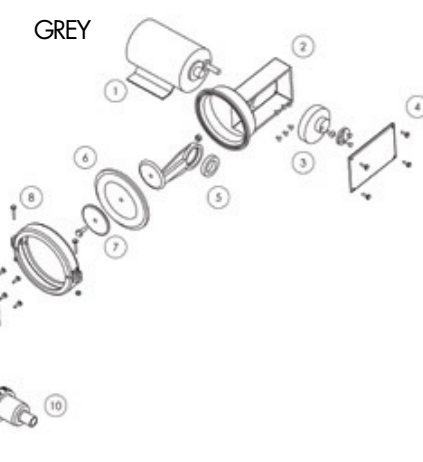
- 1 automatic pressure system or deck pumps
- 2 inlet electro valve
- 3 y-valve
- 4 holding tank
- 5 macerator pump
- 6 toilets
- 7 seacock
- 8 discharge to approved disposal station
- 9 vented loop

WASTE AND GREY WATER PUMPS

WASTE



GREY



- EXPLODED VIEW / SPARE PART LIST:
- 01) 6000108712-24 35 LITRES MOTOR 12/24 V.
 - 05)-07) 8700001105 PISTON ROD.
 - 06)-10)-12) 8700001106 GASKET KIT
 - 08) 8700001108 FIXING CLAMPS
 - 09)-10)-11)-12)-13)-14) 8700001110 WASTE PUMP GROUP

- 01) 6000108512-24 22 LITRES MOTOR 12/24V.
- 05)-07) 8700001105 PISTON ROD.
- 06)-9)-11) 8700101106 GASKET KIT
- 08) 8700001108 FIXING CLAMPS
- 10)-11)-12) 8700101110 GREY PUMP GROUP

